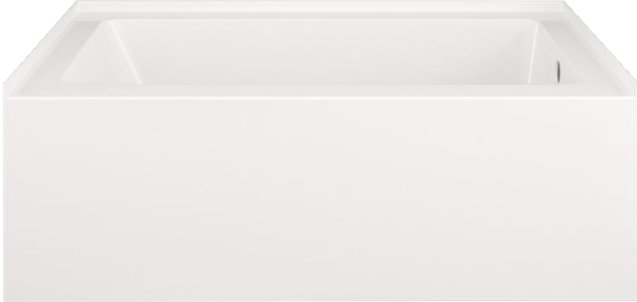


## Installation Procedure for

### Bathtub with Tile Flange (Alcove, 2 Sides, 3 Sides)



Serial Number:\_\_\_\_\_

Model Name:\_\_\_\_\_

Date of Manufacture:\_\_\_\_\_

Thank you for choosing an Oceania product for your project!

- For warranty details, please refer to our website: <http://www.oceania-attitude.com>.
- Ensure that the structure supporting your bathtub can withstand a minimum weight of 1,200 lbs (545 kg).
- Consult your local building codes to ensure the installation complies with regulations.
- Protect your product during installation.
- A professional plumber is required for the installation of the plumbing and the bathtub.

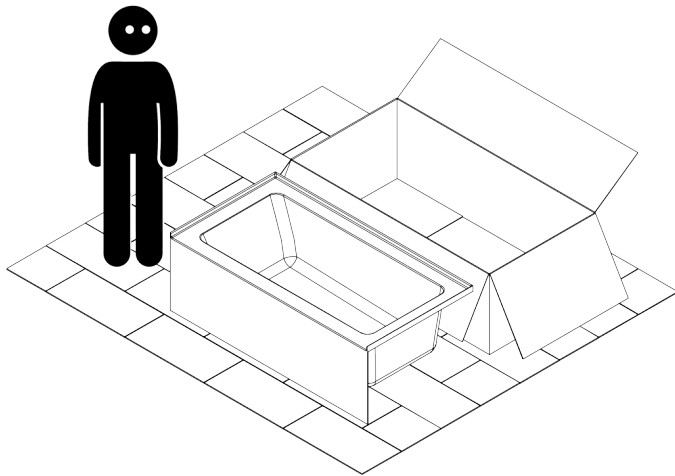
#### IMPORTANT:

READ AND CAREFULLY FOLLOW ALL INSTRUCTIONS BEFORE INSTALLING THE PRODUCT.

1. **DANGER:** To reduce the risk of injury or drowning, do not allow children to use this product unless constantly supervised by an adult.
2. **CAUTION:** To avoid injury, exercise care when entering or exiting the bathtub.
3. **CAUTION:** Risk of accidental injury or drowning: Do not consume alcohol, drugs, or medication before or during the use of the bathtub.
4. **CAUTION:** Risk of electric shock: Keep electrical devices such as hair dryers, lamps, phones, radios, or televisions at least 5 feet (1.5 meters) away from the bathtub.
5. **CAUTION:** Risk of hyperthermia and possible drowning: Water temperatures above 100°F (38°C) can be hazardous to your health. Check and adjust the water temperature before using the bathtub.
6. **CAUTION:** Misuse of essential oils in high concentrations can irritate the skin and damage the bathtub's surface. Some brands of Wintergreen essential oils are known to damage acrylic surfaces.

1.

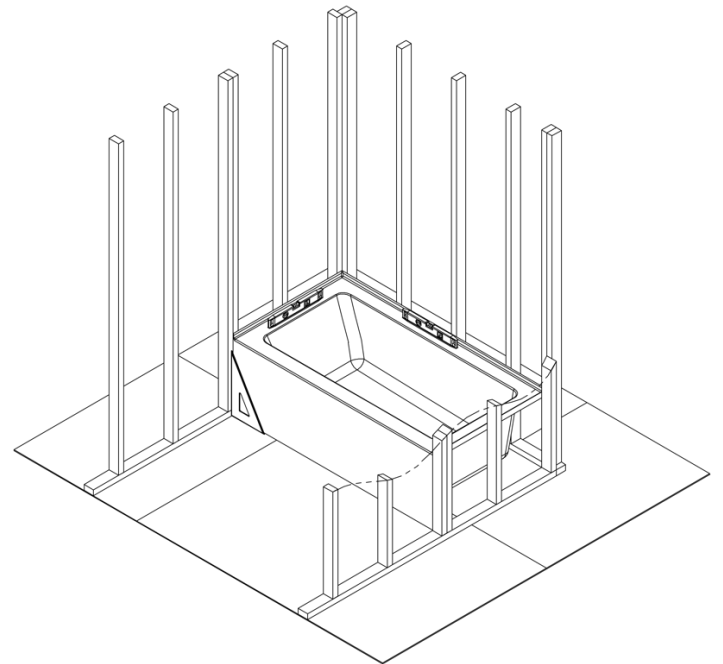
- Carefully unpack the bathtub and inspect it for any damage during transport.
- Pre-install all plumbing components (water inlet, drain, and overflow) before positioning the bathtub in its final location.



2.

- Place the bathtub in its final position.
- Adjust the feet to level the bathtub from front to back and side to side. For wooden feet, use shims if necessary.
- Ensure the bathtub rests securely on its four feet without the skirt touching the floor (Leave 1/8" between floor and skirt).

Note: Install the bathtub on a perfectly level floor with square walls for optimal results. If the floor is sloped, it is the installer's responsibility to compensate and ensure the bathtub is level to allow proper drainage.



3.

- If using a FBQD Adaptator for freestanding tubs, please refer to the following installation video

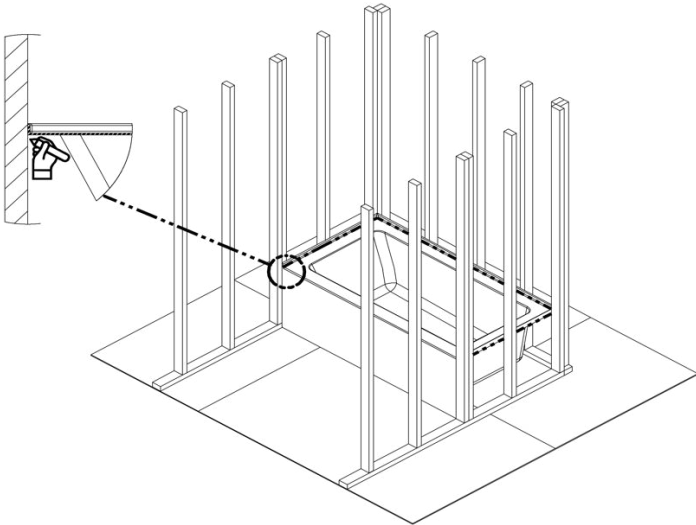


If not, go to step 4

## Regular Installation without FBQD

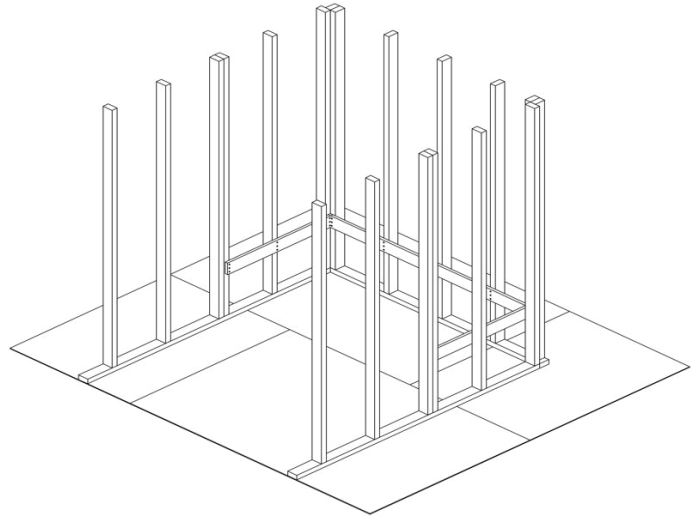
4.

- Once the bathtub is level and in its final position, use a pencil to mark the bottom edge of the tile flange on the surrounding wall studs.
- Carefully remove the bathtub.



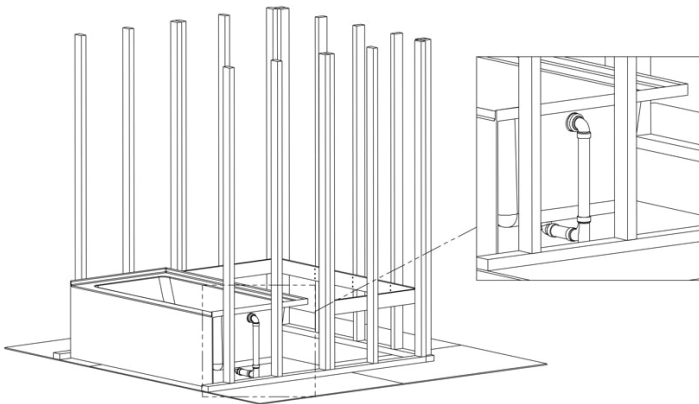
5.

- Install 1" x 4" (not included) horizontal supports on the wall studs just below the marks you made.
- Secure the supports firmly using appropriate screws to provide stable support for the bathtub.



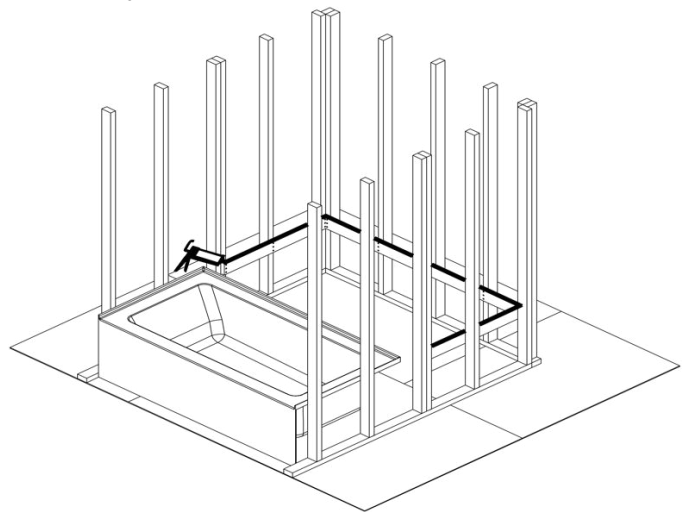
6.

- Connect the drain and overflow components following the manufacturer's instructions.
- Attach the water supply lines and test all connections for leaks.

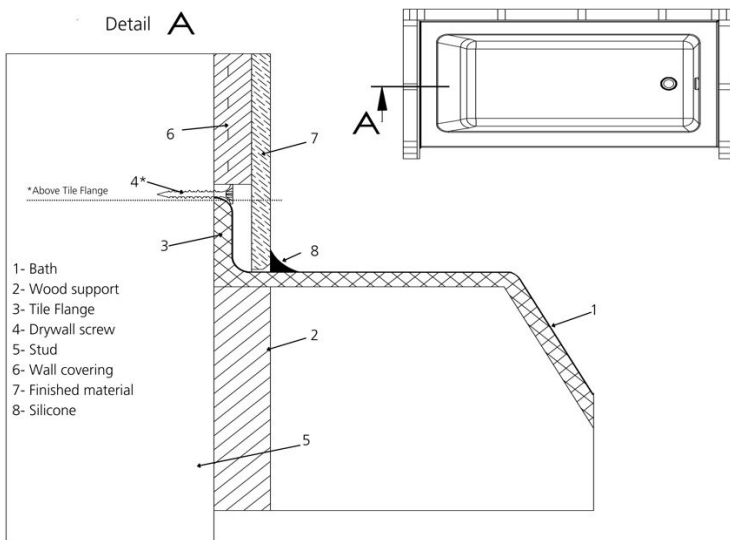


7.

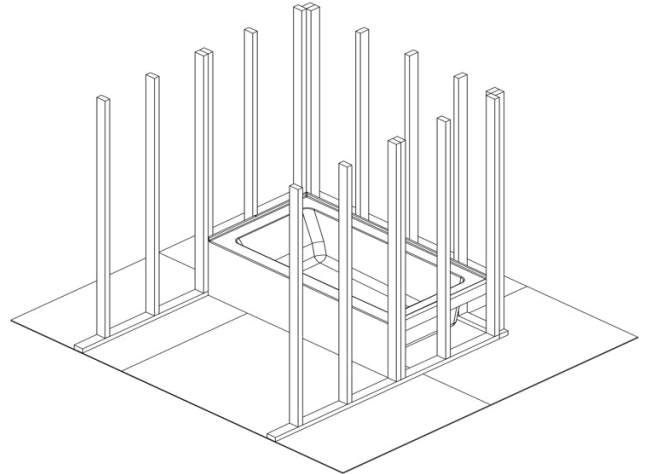
- Apply a bead of silicone along the horizontal supports (1" x 4").
- Place the bathtub in its final position.
- Check the level of the bathtub again and adjust if necessary.



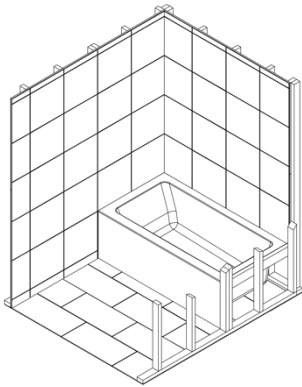
8. Secure the bathtub in place by fastening drywall screws into the studs above the bathtub flange.



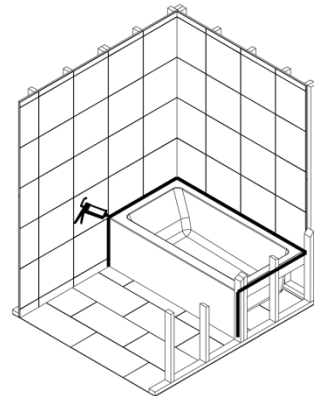
9. -Connect the plumbing components (overflow, drain, faucets) according to the manufacturer's instructions and local codes.  
-Test the proper operation of all components and ensure water drains correctly.



10. -Install the walls. Cover the tile flanges with the chosen finishing material (shower walls, tiles, etc.).



11. -Apply a bead of silicone where the bathtub meets the finishing material.



12. -Allow the silicone to dry for 24 hours before using the bathtub.

