

**Loft 6031 R-SF - Right hand drain, 1 Skirt (Front)**

Series : **Alcove**

Nominal dimensions: **60" x 31" x 22" [152.4 cm x 78.7 cm x 55.9 cm]**

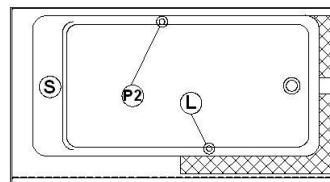
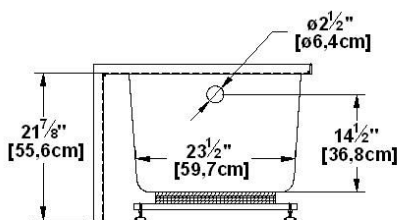
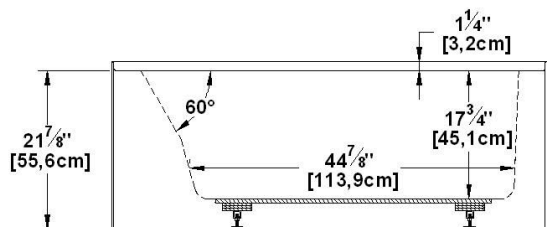
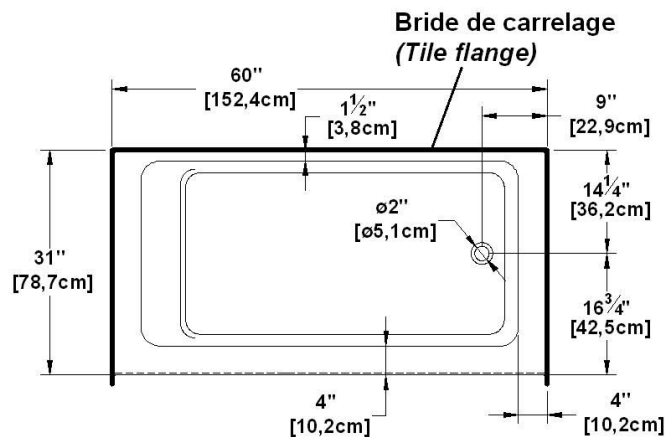
Seats : **1**

Product code: **LO6031R-SF**

Draft revision : **2024102915341**

Lumbar support : yes      Arm rests : no      Undermount : no      Low-profile available : no

**Draft and specs**



**Specifications**

Capacity: **42 IMP Gal. / 54.7 US Gal. / 190.9 liters**  
 AeroMassage™: **40 Easy Clean™ air jets**  
 Super AeroMassage™: **AeroMassage™ + 12 Easy Clean™ air jets**  
 Characteristics: **1 integrated skirt**

**Remarks**

All measures have a precision of ± 1/4" (0,63cm)  
 If a measure is present on one side only, part is symmetrical  
 \*internal dimensions taken at 4" (10cm) from bath bottom  
 \*capacity is measured by filling the bath to 1-1/2" under the overflow

**Available models**

Soaker   
 AeroMassage™   
 Super AeroMassage™

**Available recommended options**

Front skirt: Integrated  
 Recommended drain: WOCO14 (chrome finish)  
 Tile flanges: Included on sides without skirt  
 Floating remote control: Available  
 Linear overflow: BDW114 (chrome finish)

**Additional(s) note(s)**

Keypad supplied but not installed when ordered with tile flanges or remote control. Available in white only. Only one handle can be factory installed.

**Legend**

(S) Blower      (L) Chromotherapy light  
 (P2) Grab bar      (C) Keypad  
 Recommended faucets drilling location\*  
 Deck cut-out line - - - - -

*\*It is possible to install the faucets elsewhere on the product. The installer must verify that there are no piping or wires before drilling.*

**IMPORTANT NOTE:** Specifications, dimensions and models are subject to change.

Visit our website <http://www.oceania-attitude.com> to access up-to-date dimensions and information. In all cases, information on the website is the most up-to-date.

Head office

591, avenue des Entreprises  
 Theftord Mines, Quebec  
 CANADA G6H 4B2

Contact numbers

Phone : 1-877-332-4224  
 Fax : 1-866-460-4334

Internet

Web : <http://www.oceania-attitude.com>  
 Email : [info@bainsoceania.com](mailto:info@bainsoceania.com)